

# A2CP11039

# 5.0-10.0 GHz COUGARPAK™ AMPLIFIER

Typical Values	A2CP11039
Ultra Broad Bandwidth .....	5.0-10.0 GHz
High Gain .....	12.0 dB
Low Noise Figure .....	4.0 dB
High Performance Thin Film High Power Two-stage CougarPak™ Package	

## SPECIFICATIONS\*

Parameter	Typical	Guaranteed	
		0 to 50 °C	-55 to +85 °C
Frequency (Min.)	5.0-10.0 GHz	5.0-10.0 GHz	5.0-10.0 GHz
Small Signal Gain (Min.)	12.0 dB	11.5 dB	11.0 dB
Gain Flatness (Max.)	±0.8 dB	±0.9 dB	±1.0 dB
Noise Figure (Max.)	4.0 dB	4.5 dB	5.0 dB
SWR (Max.)	1.8:1	2.0:1	2.1:1
Power Output (Min.) @ 1dB comp.	+33.0 dBm	+32.5 dBm	+32.0 dBm
Reverse Isolation	50 dB	—	—
DC Current (Max.)	1650 mA	1700 mA	1750 mA

\* Measured in a 50-ohm system at +12 Vdc unless otherwise specified.

## INTERMODULATION PERFORMANCE

Typical @ 25 °C	A2CP11039
Second Order Harmonic Intercept Point .....	+63 dBm
Second Order Two Tone Intercept Point .....	+57 dBm
Third Order Two Tone Intercept Point .....	+42 dBm

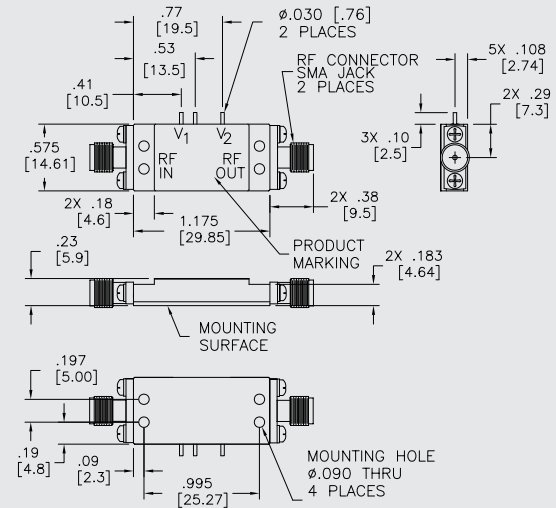
## ABSOLUTE MAXIMUM RATINGS

Storage Temperature .....	-65 to +150 °C
Maximum Case Temperature .....	+125 °C
Maximum DC Voltage .....	+14 Volts
Maximum Continuous RF Input Power .....	+20 dBm
Burn-in Temperature .....	125 °C
Thermal Resistance <sup>1</sup> (θjc) .....	4.5 °C/Watt
Junction Temperature Rise Above Case (Tjc) .....	88.4 °C

<sup>1</sup> Thermal resistance is based on total power dissipation.

## A2CP11039

### High Power CougarPak™ Connectorized Package (two-stage)



DIMENSIONS ARE IN INCHES [MILLIMETERS]